

Moon Rollin'

Assembly
Guide

pedestal®

Moon Rollin'

Congrats on your new Pedestal product, and welcome to the world of Pedestal. You have entered a colorful world of design items made for you to elevate your interior design.

Deeply rooted in the Scandinavian design tradition, our products reflect our commitment to quality, functionality and simplicity.

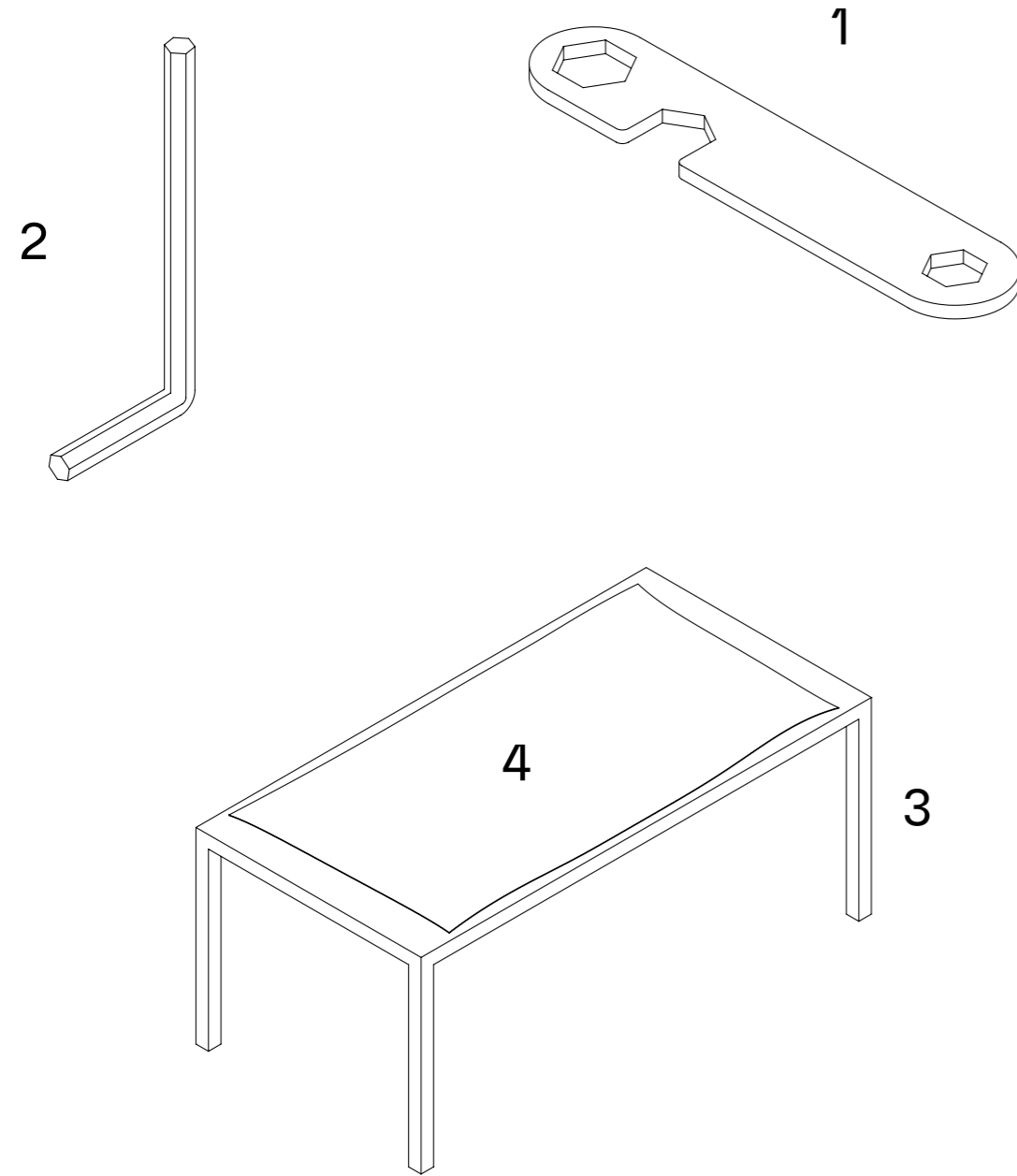
Let's go on a more colorful journey together - where form follows function playfully!

/Pedestal



Use the QR code or type in the URL to access our guides.
www.pedestal.com/pages/manuals

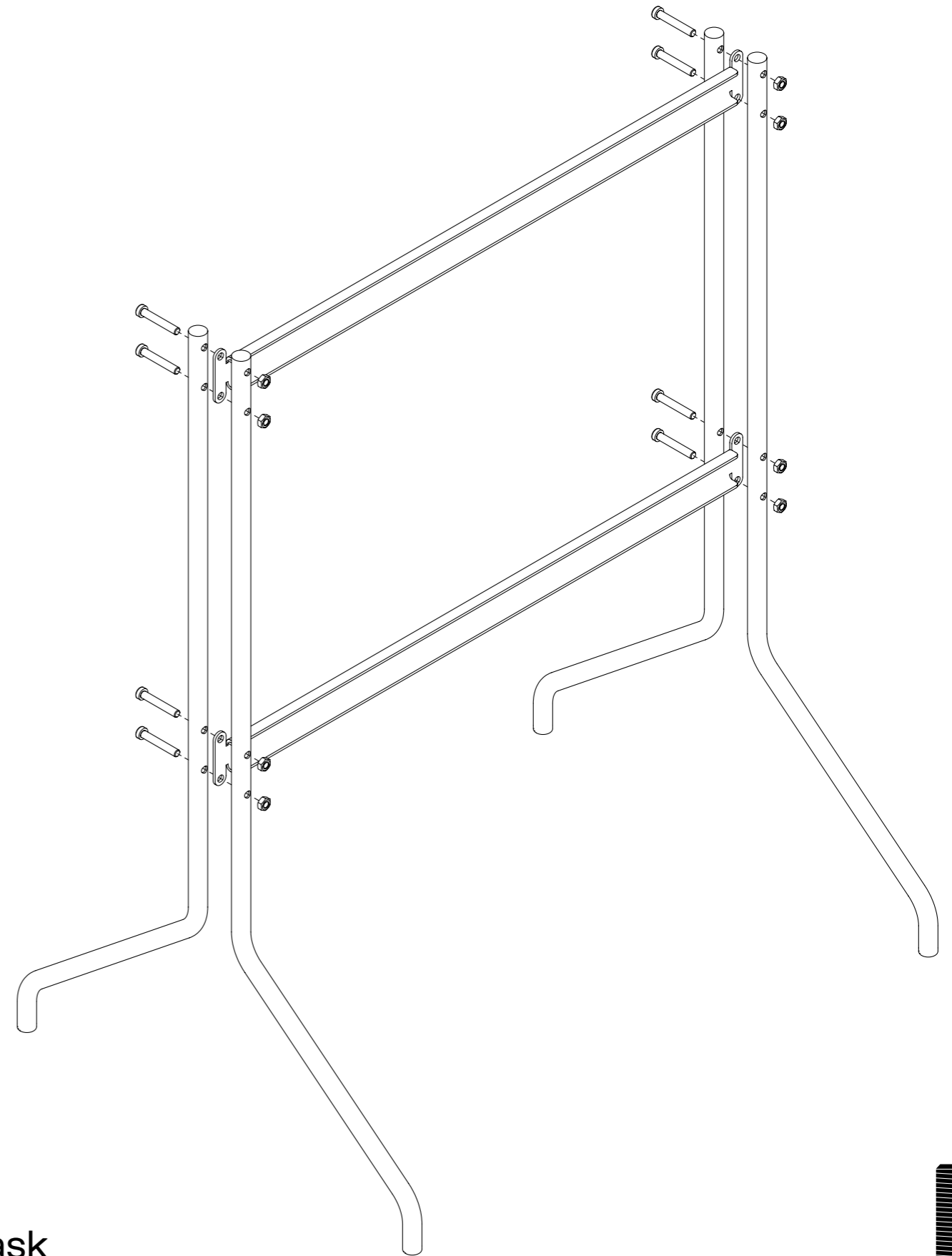
Tools



You will need the tools listed below:

- 1: Wrench (Provided in the hardware bag)
- 2: Hex key (Provided in the hardware bag)
- 3: Table
- 4: Soft cloth or blanket
- 5: Assisting friend

1.0 Mount brackets

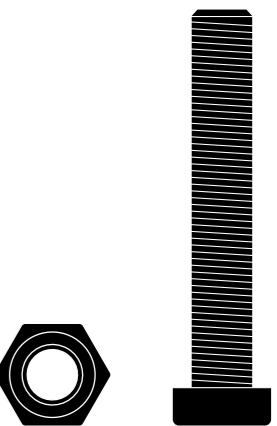


Task

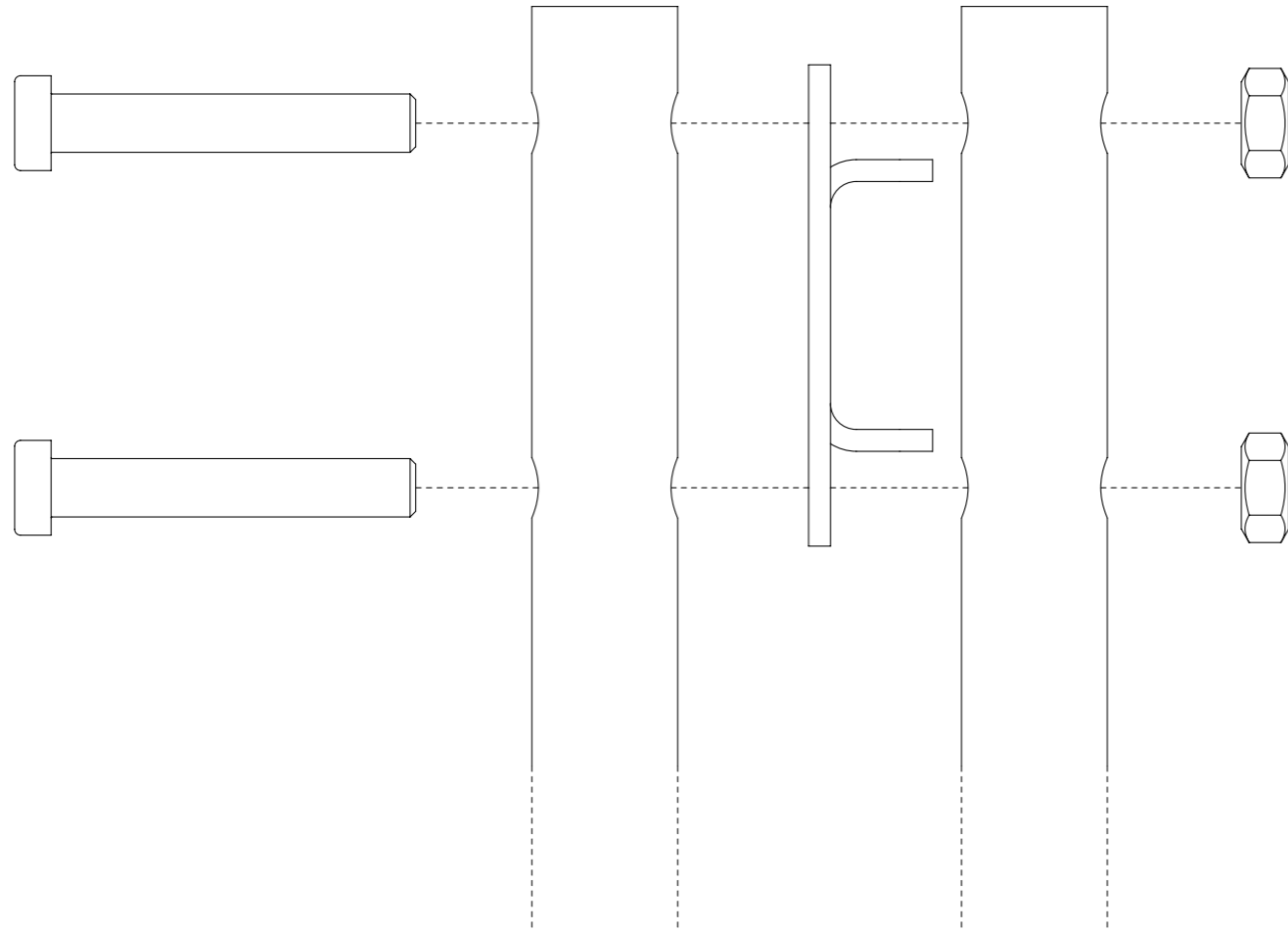
Mount the brackets horizontally onto both sides as shown.
Tighten all connections.

Parts

- 8x M8x50mm bolts
- 8x M8 Nuts



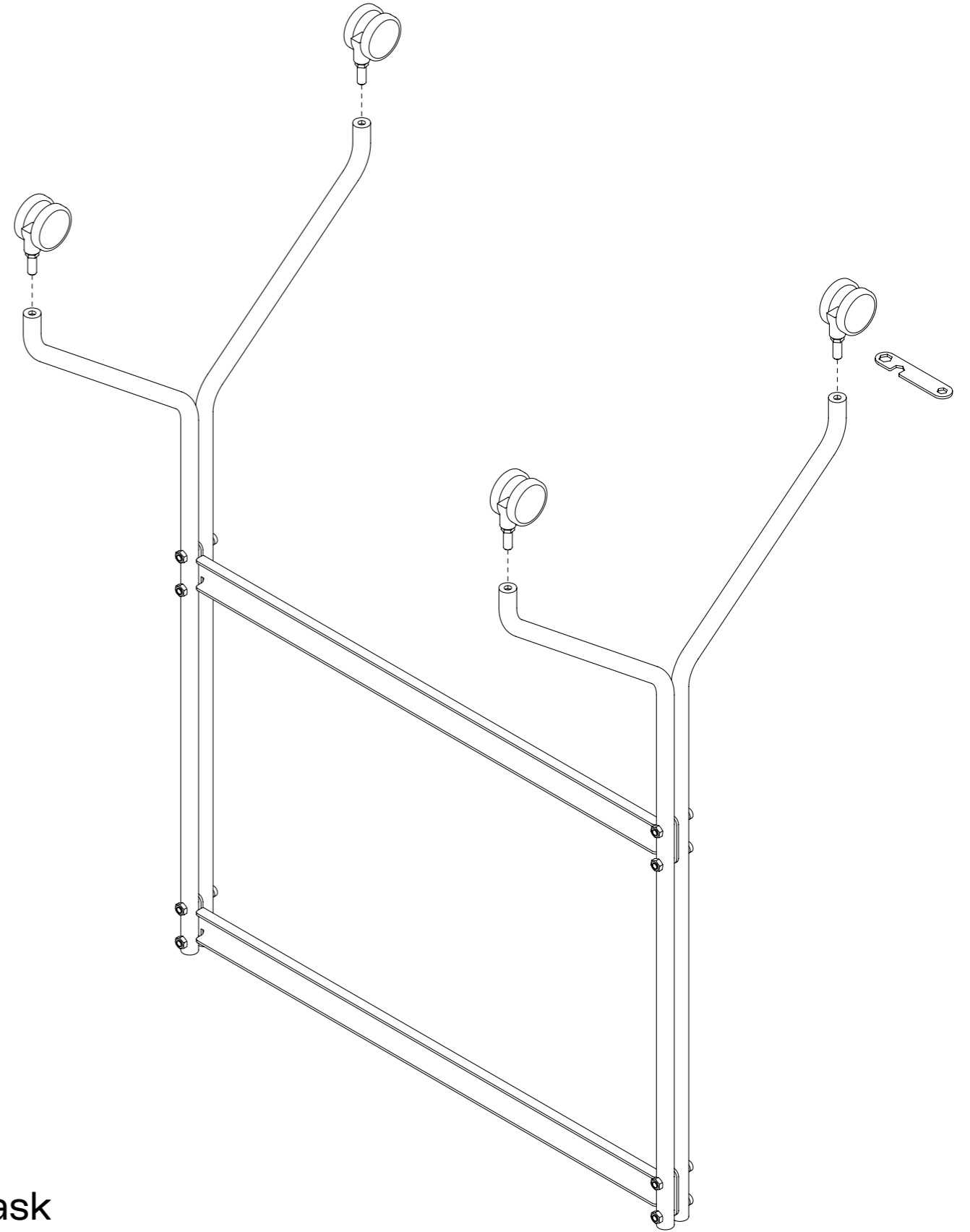
1.1 Mount brackets detail



Task

Detailed view of step 1.0.

2.0 Wheels



Task

Mount the four wheels into the bottom of the feet as shown.
One wheel on each foot.
Tighten all connections.

Parts

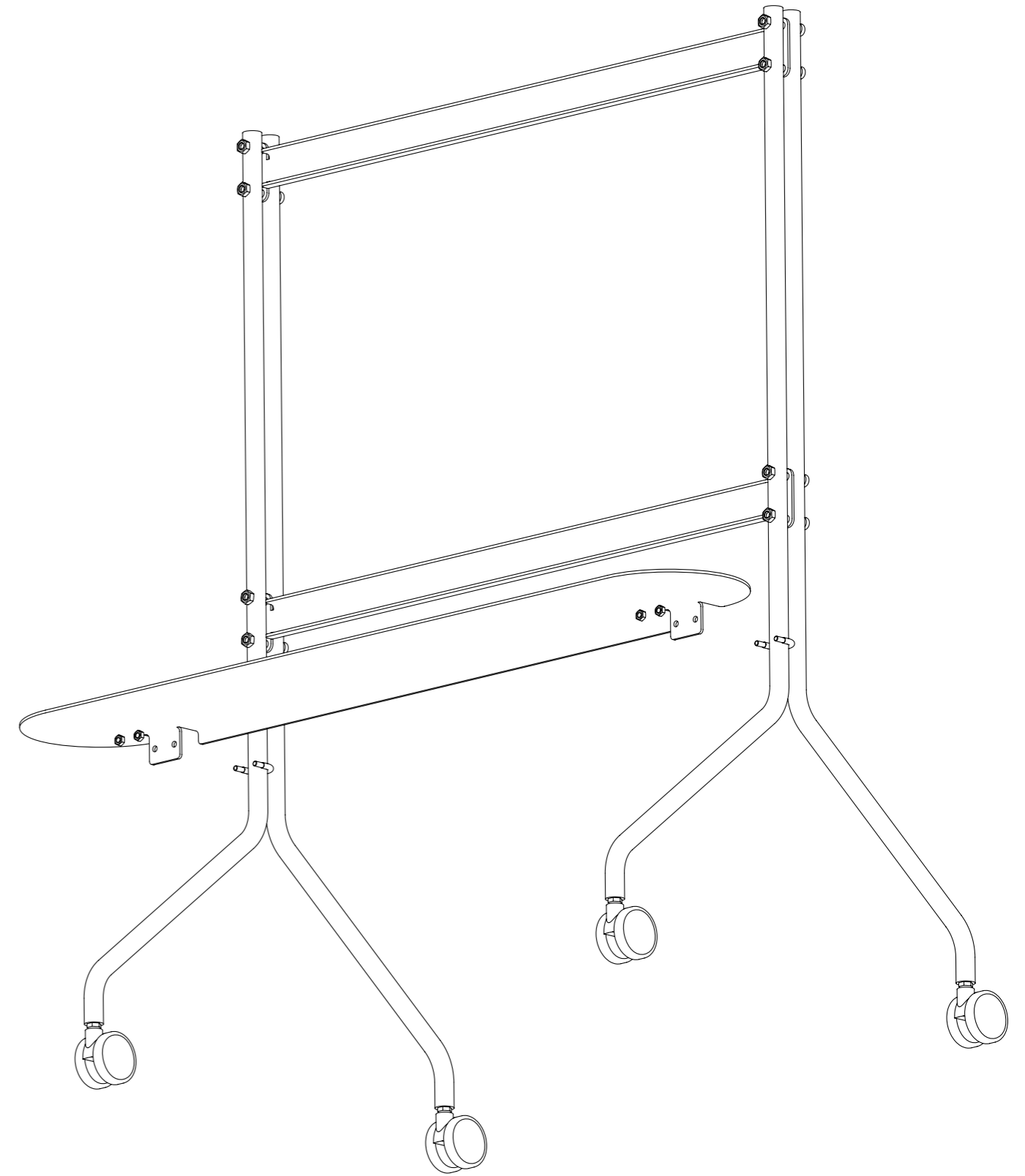
4 × Wheels

Pipe

Wait a
second!

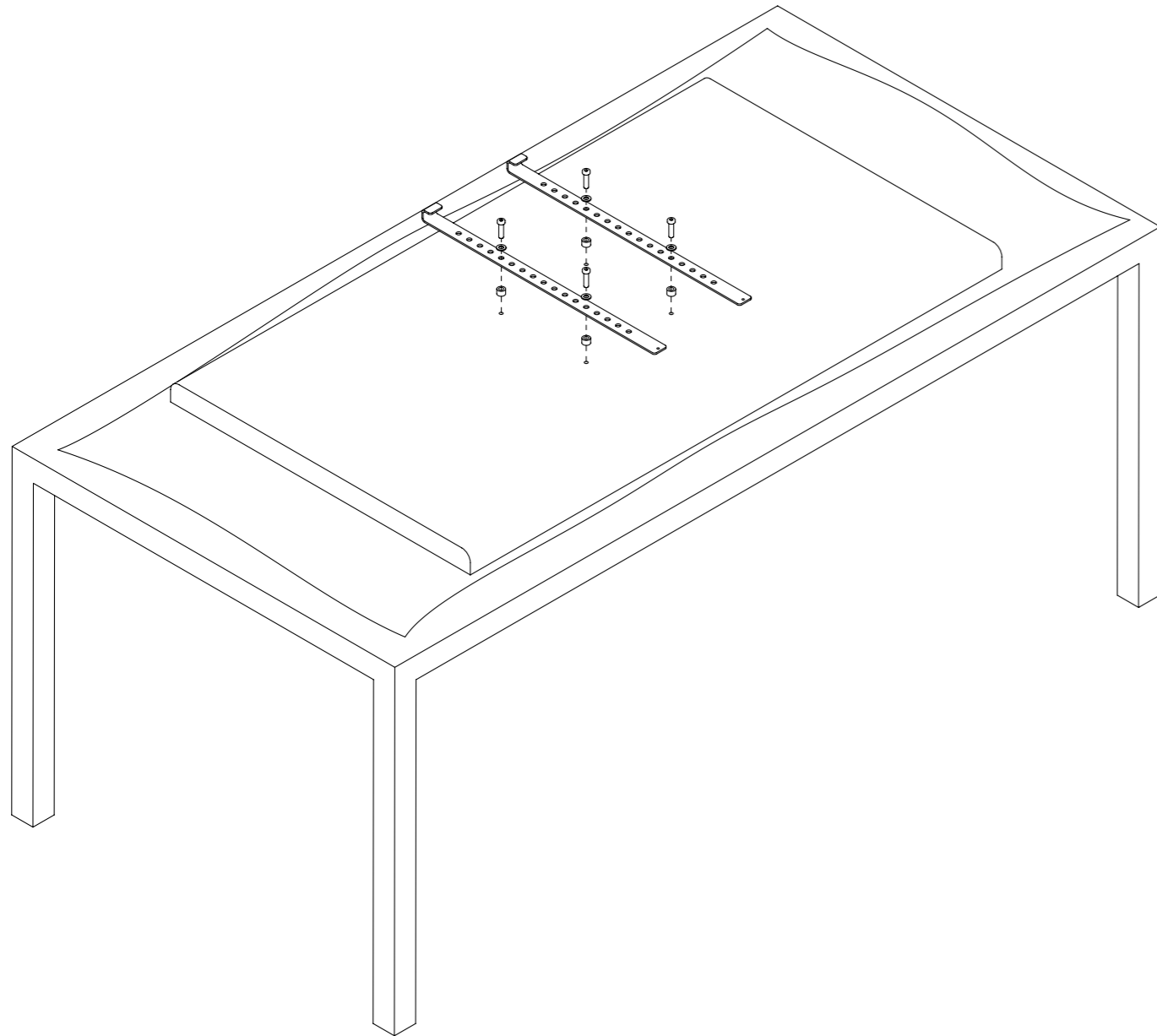
Do you have a Pipe shelf you
want on your Moon Rollin'?

Yes? Now is the time!
No? Skip to the next page.



Scan the QR-code to find the Manual for Pipe Shelf

3.0 Mount TV brackets



Task

Place your screen facing backside up on a tabletop with a soft cloth or blanket between the two in order to protect both. Mount the TV brackets vertically using the fitting holes.

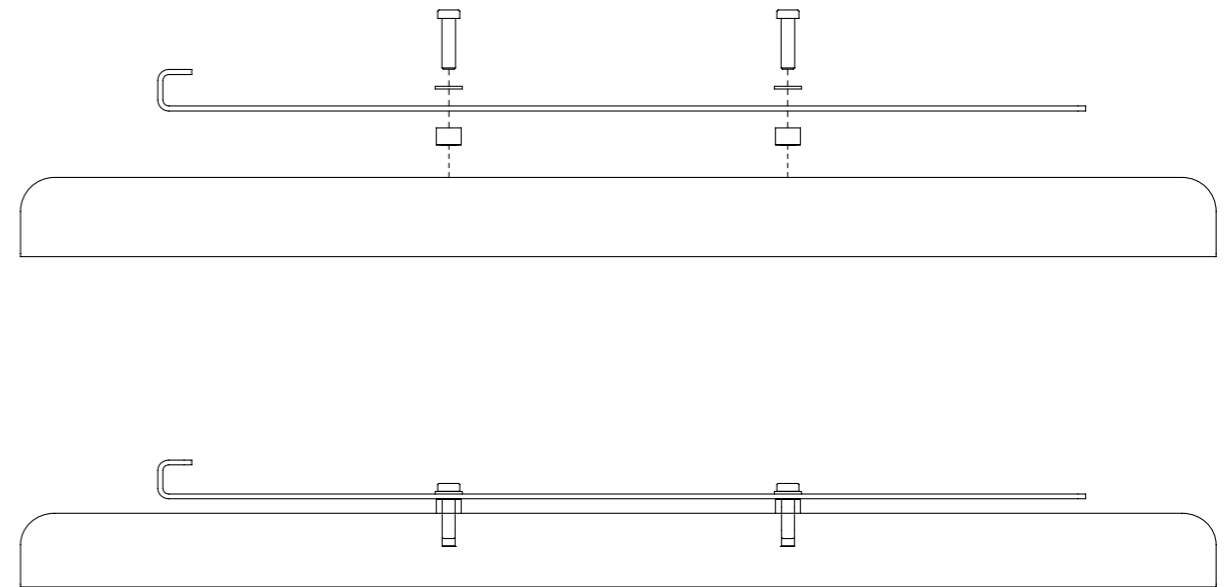
For correct fit, see step 3.1

Parts

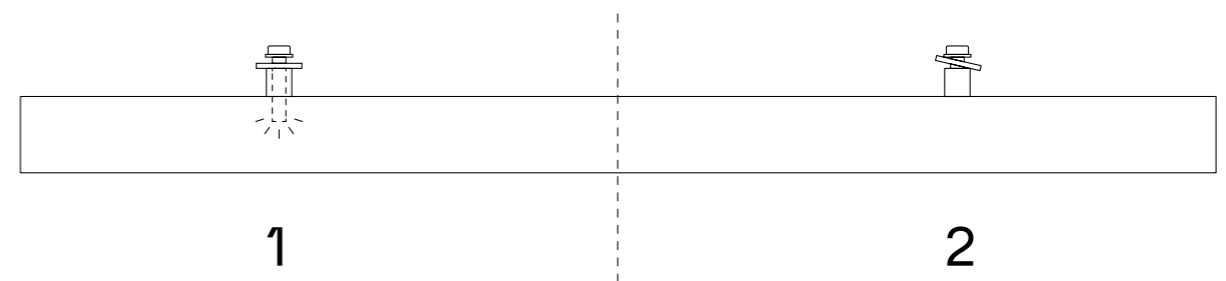
4 x suitably sized bolts
4 x M6/M8 washers
At least 4 x suitably sized spacers

3.1 TV brackets fitting

Correct fit



Incorrect fit



Do not panic!

You will not need all of the remaining hardware. The large selection of remaining hardware is to accommodate as many different screens as possible.

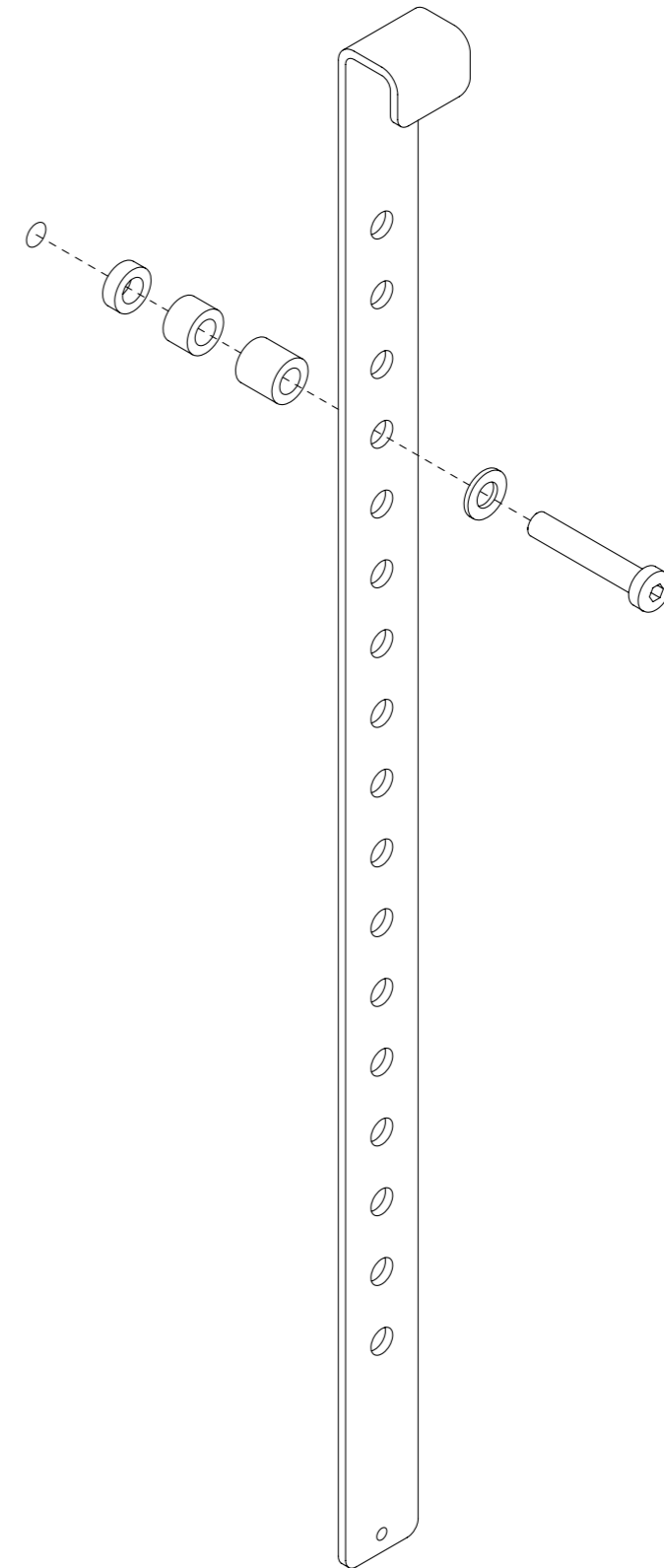
For a correct fit you will have to identify the right combination of provided spacers, washers and bolts.

Place the spacers between the screen and the brackets to ensure that the brackets do not touch the screen.

If for instance your screen has a curved backside, you might have to use more than one layer of spacers.

Now screw the appropriately dimensioned bolts with washers through the brackets and spacers into the threaded holes on the backside of the screen. Tighten the bolts until you have a snug fit. Be sure not to overtighten. The bolts must not reach the bottom of the threaded holes. Overtightening might cause damage to your screen.

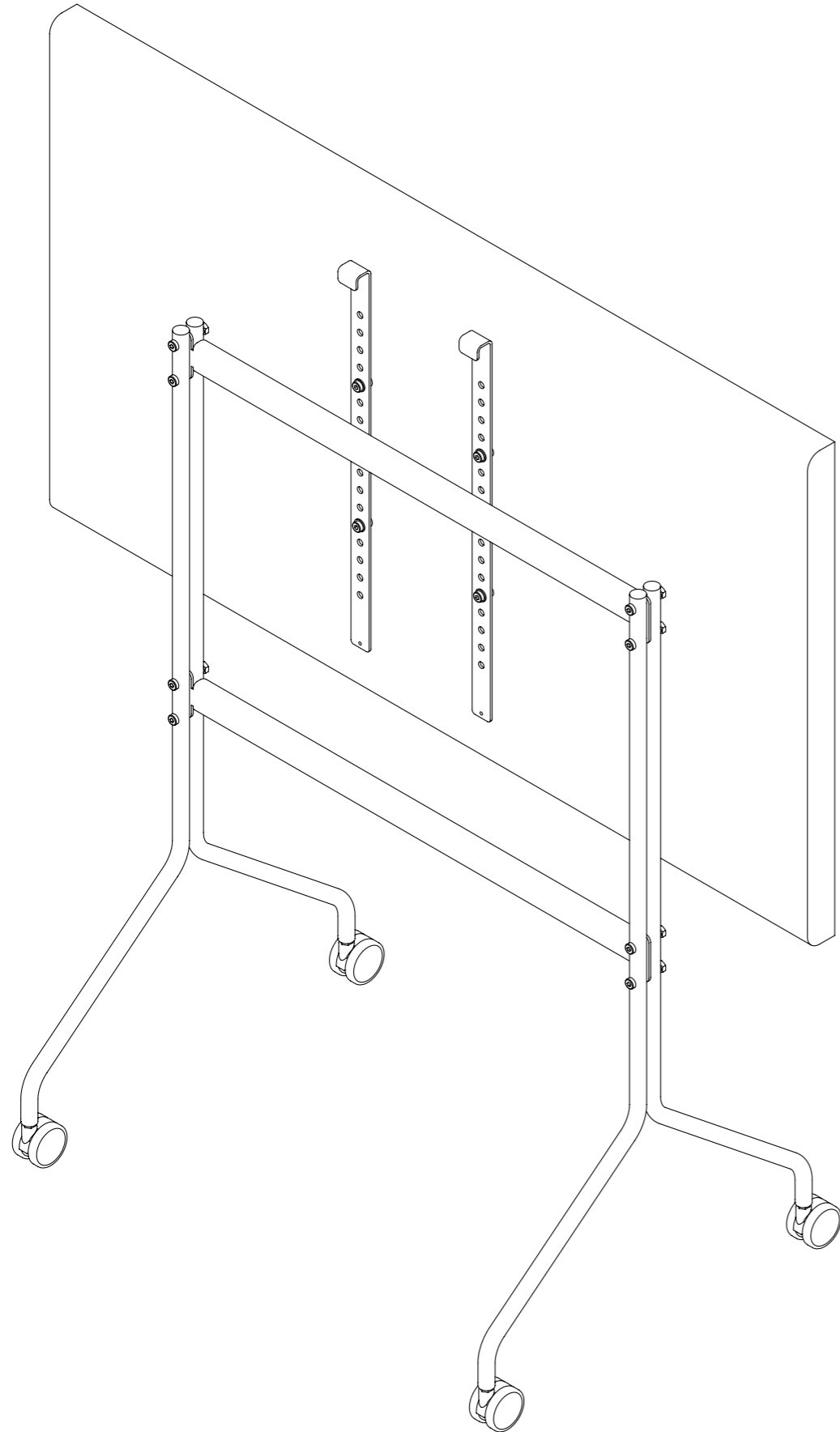
Struggling to find
the ideal spacer?



No problem!

Just stack 'em up, mix and match for the perfect fit!

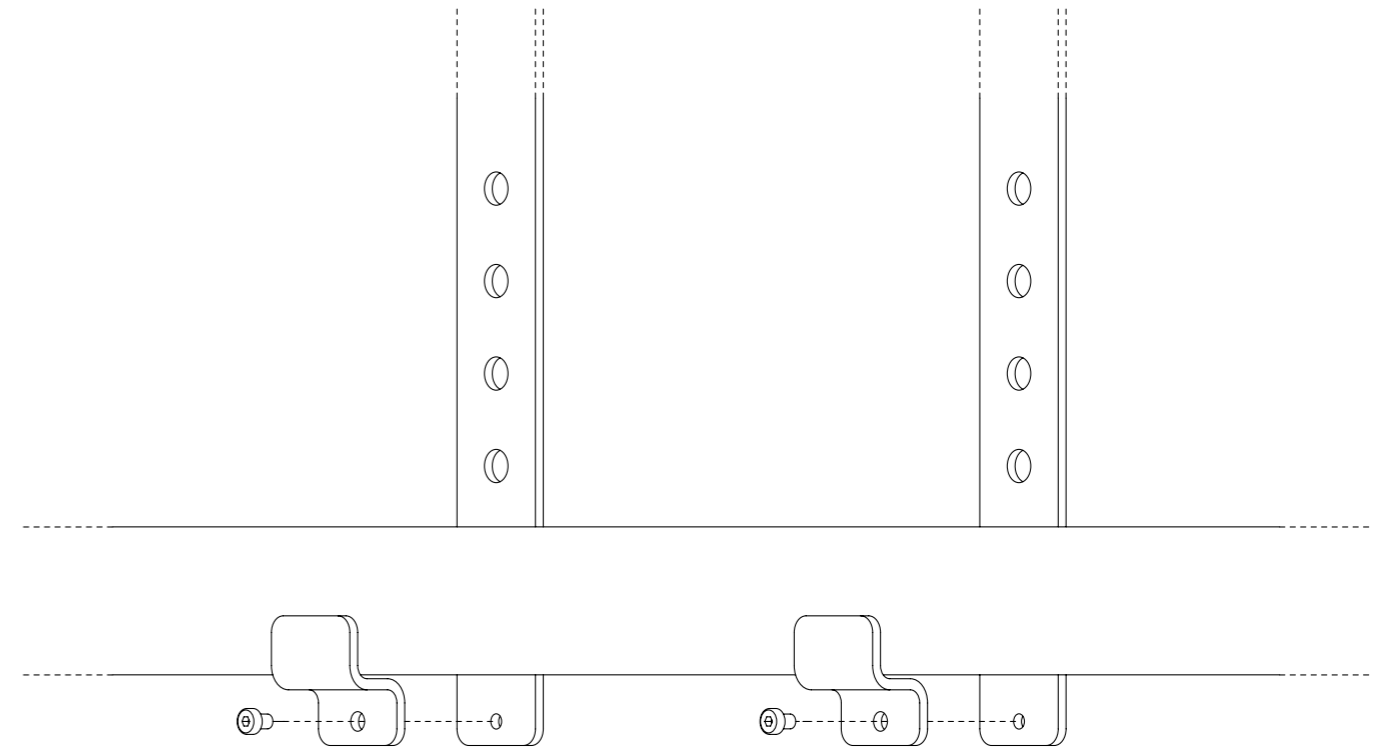
4.0 Mount TV



Task

Hang TV on stand

5.0 Mount safety hooks



Task

Secure the TV to the stand with the safety hooks as shown.
Tighten all connections.

Parts

2 x M5x8mm Bolts





pedestal®

